

4

3

2

1

D

D

C

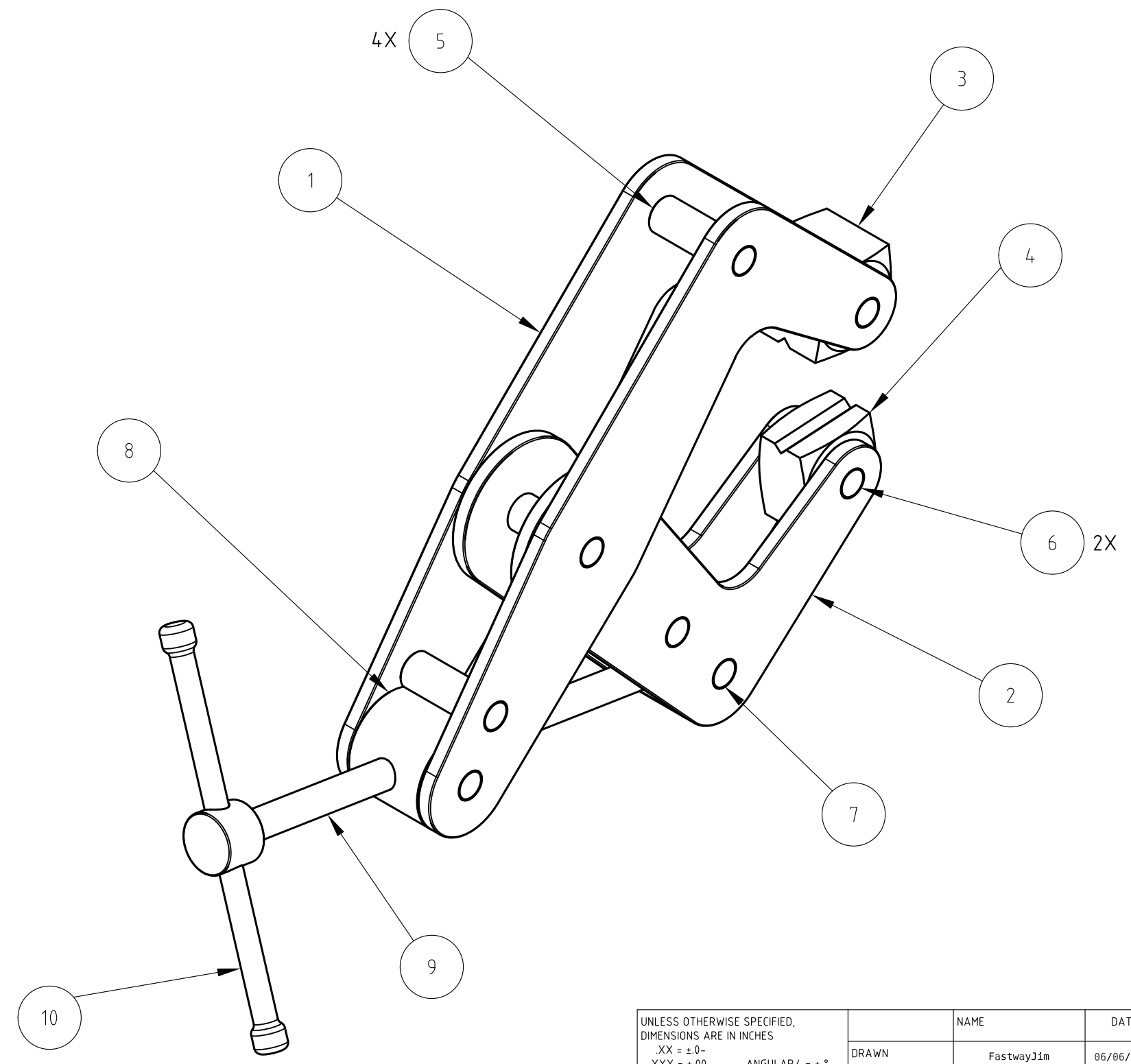
C

B

B

A

A



UNLESS OTHERWISE SPECIFIED,
DIMENSIONS ARE IN INCHES
.XX = ±.0-
.XXX = ±.00- ANGULAR ∠ = ± °
.XXXX = ±.000- FRACTIONAL = ±

SURFACE FINISH $\sqrt{\quad}$

DO NOT SCALE DRAWING

BREAK ALL SHARP EDGES AND REMOVE BURRS

THIRD ANGLE PROJECTION

	NAME	DATE
DRAWN	FastwayJim	06/06/2016
CHECKED		
APPROVED		
MATERIAL	FINISH	

<h1>Drawing 1</h1>		

SIZE	DWG NO.	REV.
B	-----	-
SCALE	WEIGHT	SHEET
		1 of 1

4

3

2

1